



HIGH OUTPUT BRUSHLESS ALTERNATORS

100-DEL-QRG

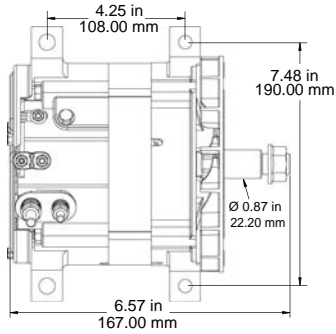
DelStar Quick Reference Guide

Designed for Special Applications

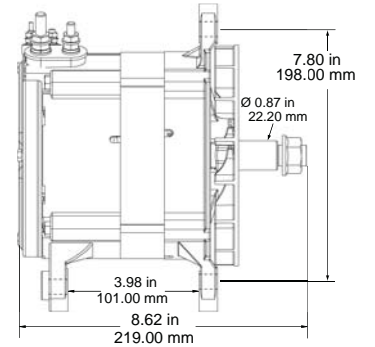
Series 150 12V-200A • 24V-150A



PAD MOUNT



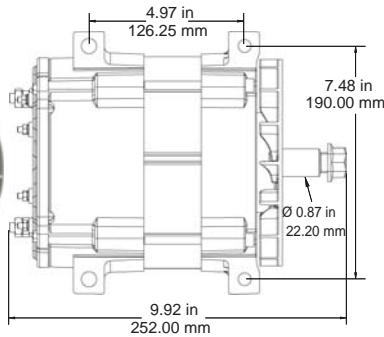
J180 MOUNT



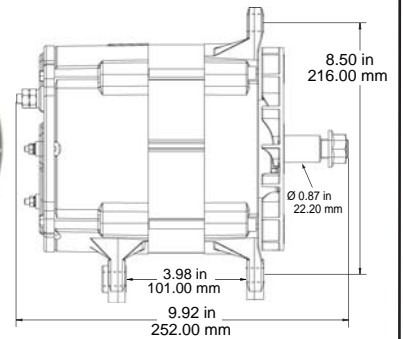
Series 170 12V-270 & 320A • 24V-160 & 190A



PAD MOUNT



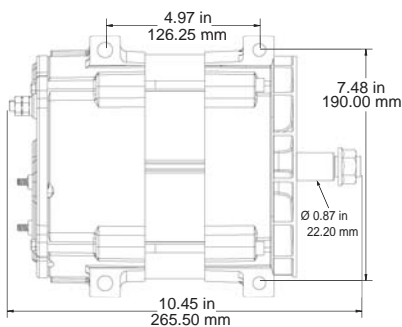
J180 MOUNT



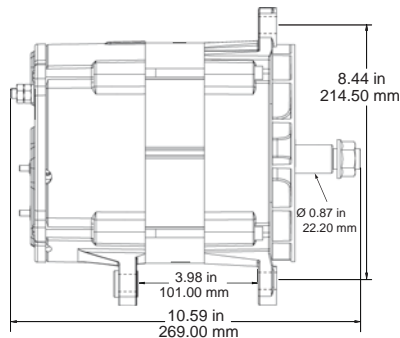
Series 180 12V-350 & 435A • 24V-200 & 250A



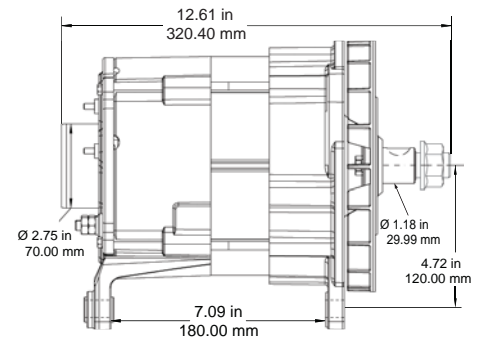
PAD MOUNT



J180 MOUNT



T1 MOUNT



4.22.2013

CANADA EXPORT AND SALES

Dixie Electric Ltd. Tel.: 905-879-0533 800-461-5799
 517 Basaltic Road Fax: 905-879-0532
 Concord, ON. E-Mail: sales@dixie-electric.com
 Canada L4K 4W8 Web Site: www.dixie-electric.com

U.S.A. SALES

Dixie Electric Inc. Tel.: 763-475-6629 800-478-0608
 17100 Medina Rd., Suite 100 Fax: 763-475-6635 800-392-8719
 Minneapolis, MN. E-Mail: mn.sales@dixie-electric.com
 U.S.A. 55447-1249 Web Site: www.dixie-electric.com



HIGH OUTPUT BRUSHLESS ALTERNATORS

100-DEL-QRG

MADE IN CANADA

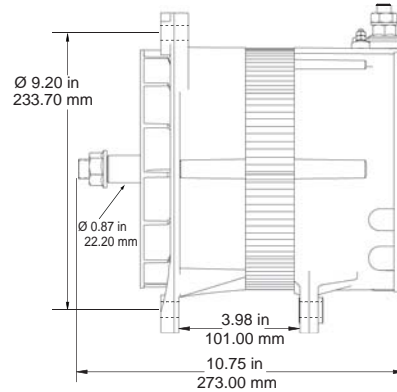
DelStar Quick Reference Guide

Designed for Special Applications

Series 200 12V-350A • 24V-220 & 250A



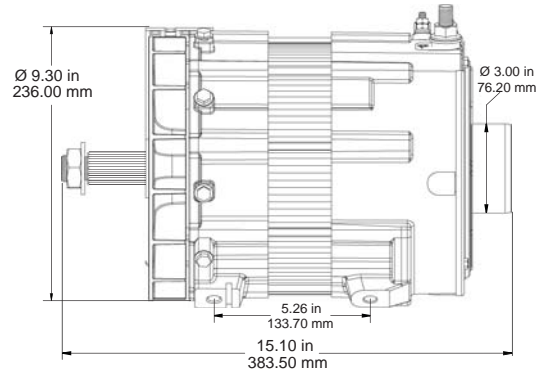
J180 MOUNT



Series 300 24V-330 & 400A



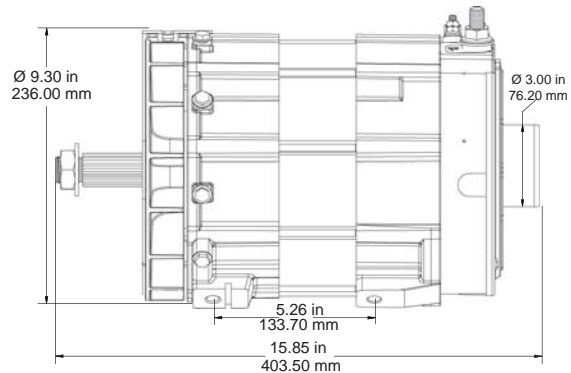
CRADLE MOUNT



Series 400 24V-475 & 525A



CRADLE MOUNT



For more information please visit our website: www.dixie-electric.com

CANADA EXPORT AND SALES

Dixie Electric Ltd. Tel.: 905-879-0533 800-461-5799
517 Basaltic Road Fax: 905-879-0532
Concord, ON. E-Mail: sales@dixie-electric.com
Canada L4K 4W8 Web Site: www.dixie-electric.com

U.S.A. SALES

Dixie Electric Inc. Tel.: 763-475-6629 800-478-0608
17100 Medina Rd., Suite 100 Fax: 763-475-6635 800-392-8719
Minneapolis, MN. E-Mail: mn.sales@dixie-electric.com
U.S.A. 55447-1249 Web Site: www.dixie-electric.com

4.22.2013